

## Arcade Pedestal Basin and Console Sets

US-ARC600 / US-ARC900

US-ARC1 / US-ARC2

## Installation Instructions



### Introduction

All parts have been fully inspected throughout the production process and only leave our factory after a 15-step QC process.

Carefully remove the items from the box and check that all parts have been supplied. Before beginning installation, please check for any damage that may have occurred during transport. **Note: Damage claims cannot be made during or after installation.**

Installation should be completed by at least two suitably competent installers.

Improper installation shall result in loss of warranty in case of damage. Wall fixings are not supplied. Source fixings which are suitable to the site wall.

**IMPORTANT: Please read these instructions carefully before beginning and retain for future reference.**

**We do not accept responsibility for any problems that may occur through incorrect installation.**

### Installation notes

The installation must comply with all plumbing codes including local codes and be installed by a licensed plumbing contractor.

Store the products in a safe place until beginning installation to avoid any damage.

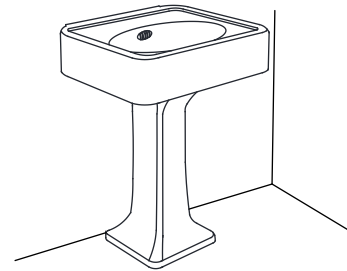
Assemble the parts on a mat to protect against scratching the surface. Avoid getting cement, grit, sand or masonry products on to the surface.

Protect and cover the products during the installation period to prevent damage from occurring.

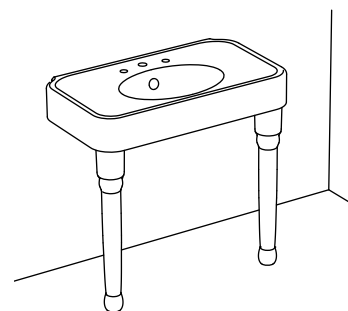
**Turn off the main water supply before connecting to any existing pipework or doing any maintenance.**

**WARNING! Please check for any hidden pipes and cables, electric or otherwise, before drilling holes in a wall or floor.**

### Model options



US-ARC600 24" basin or US-ARC900 36" basin  
with US-ARC1 pedestal



US-ARC600 24" basin or US-ARC900 36" basin  
with US-ARC2 console legs

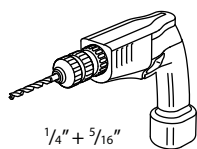
### Tools required



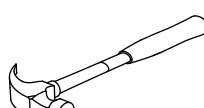
Tape measure



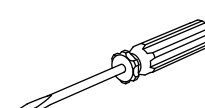
Safety glasses



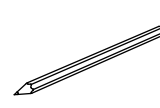
1/4" + 5/16"  
drill



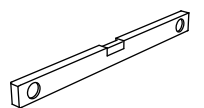
Hammer



Flat head  
screwdriver



Pencil

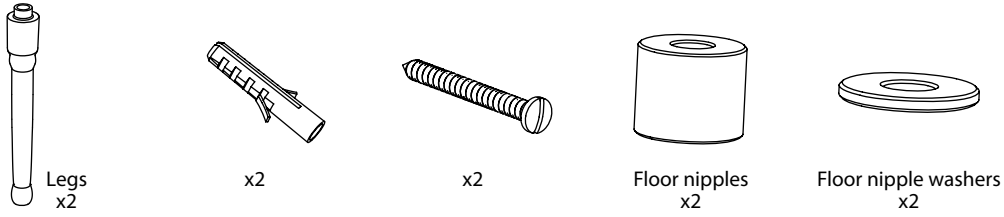


Spirit level

# 1 Installation - ceramic console legs

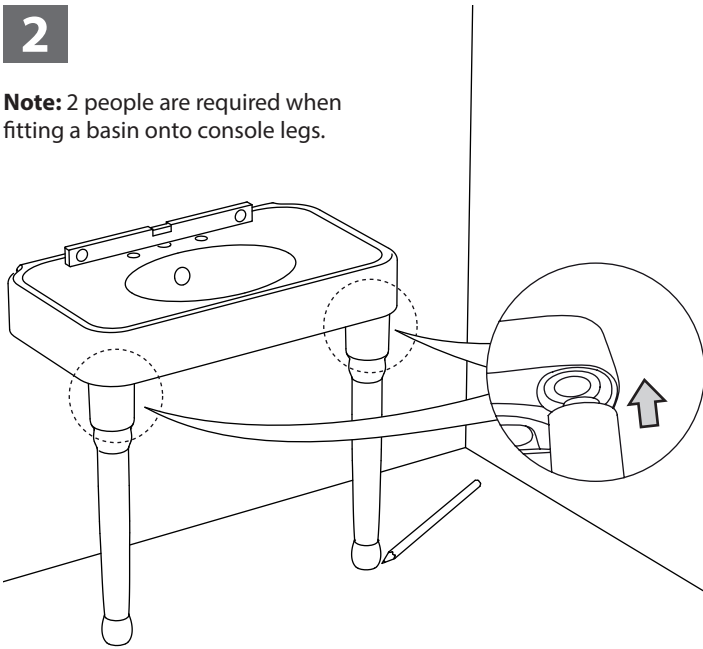
The installation process is the same no matter which basin is being installed. US-ARC900 basin is shown for illustration purposes only.

## Parts supplied - ceramic console legs



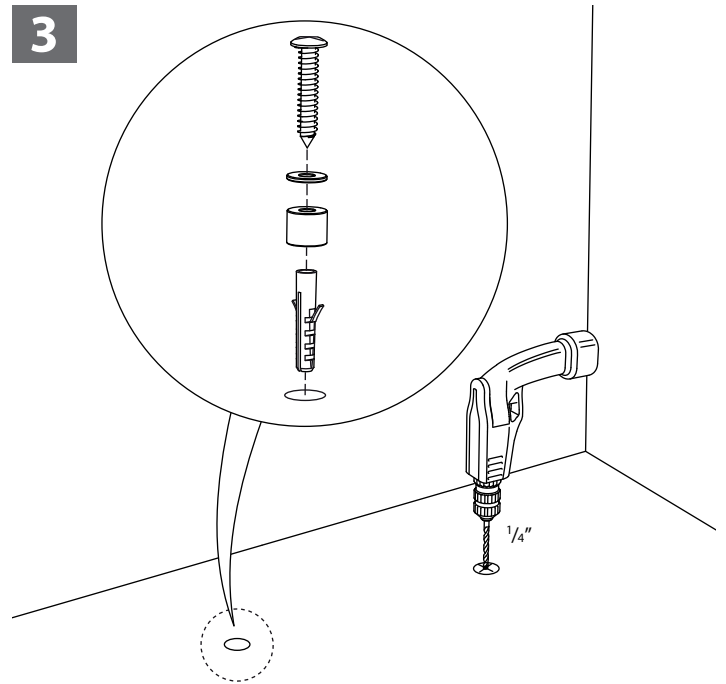
2

**Note:** 2 people are required when fitting a basin onto console legs.



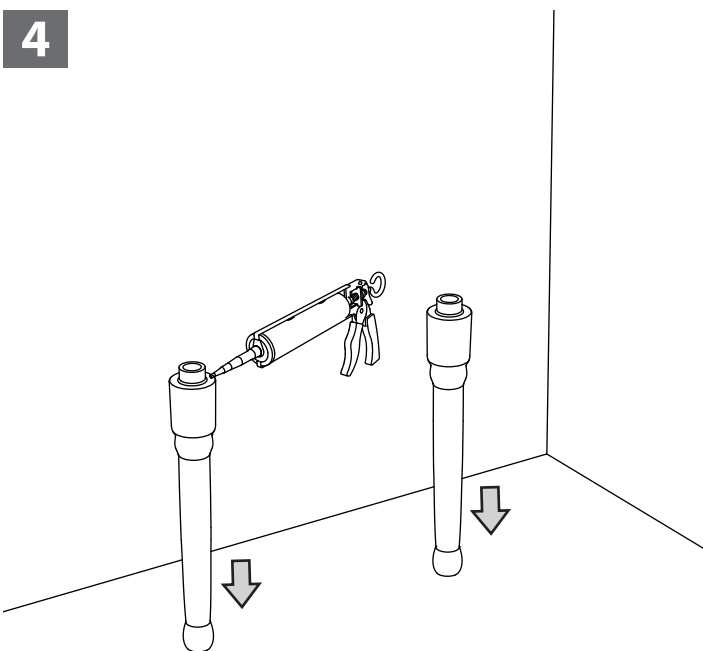
Temporarily mount the basin onto the 2 legs and locate against the wall in the desired position. Once in place, mark the footprint of the leg base onto the floor to confirm the floor fixing position.

3



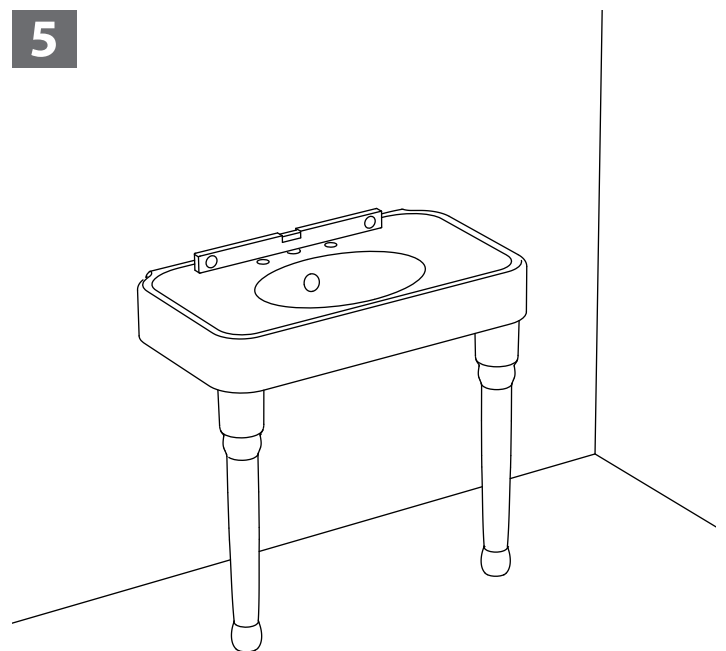
Drill 2 holes ( $\frac{1}{4}$ " ) in the center of the floor fixing positions, then fix the floor nipples onto the floor as shown.

4



Carefully apply silicone on the top of the legs and then locate the legs over the floor nipples.

5



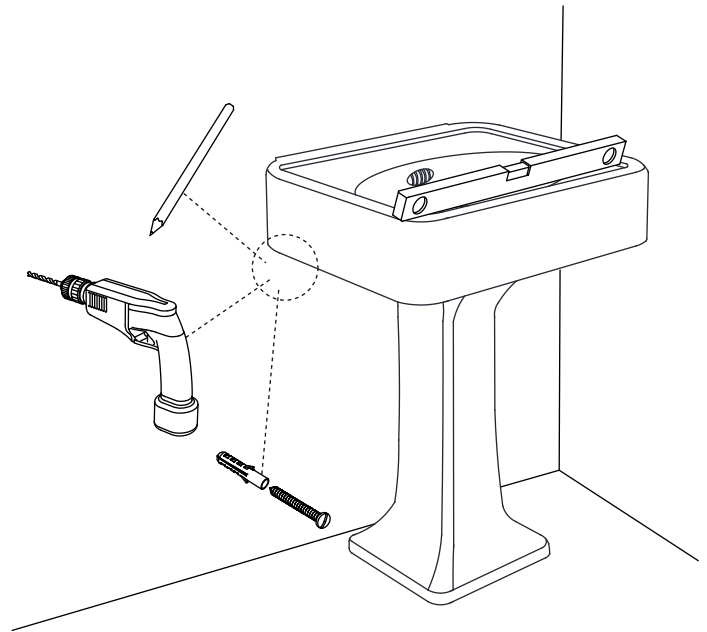
Let the basin sit on the legs and then fix the basin to the wall. Make sure the basin is level.

# 1 Installation - pedestal

The installation process is the same no matter which basin is being installed. US-ARC600 is shown for illustration purposes only.

## Installation

- Please make sure you have the correct basin suitable for the pedestal. US-ARC1 suits US-ARC600 and US-ARC900 basins.
- Place the basin in position, against the wall and sitting on top of the pedestal.
- Ensure that the basin is level and then mark the required fixing hole locations on the wall, then proceed to drill.
- Using appropriate fixings attach the basin to the wall securely. Please refer to the installation guide that came with the basin.



## Cleaning Instructions

### CARE OF VITREOUS CHINA AND FIRECLAY

A simple routine of regular care will keep your vitreous china and fireclay products clean and fresh.

Rinse away any traces of soap and gently dry with a clean soft cloth after each use. A mild detergent, warm water and a soft cloth will remove normal dirt and soap accumulations from surfaces.

Soft abrasive cleaners may be used on vitreous china and fireclay. Never use abrasive cleaners without water. Do not use caustic cleaners or disinfectants as they can alter the surface finish and void the warranty.

Do not allow certain materials such as toothpaste, cologne, shaving cream, nail polish remover, vinegar, wine, drain and glass cleaners to remain on the surface. Prolonged contact can alter surface finishes and void the warranty.

### CARE OF METAL

Rinse away any traces of soap and gently dry with a clean, soft cloth after each use. Rinse completely with water and dry any overspray. This will maintain the finish and avoid water spotting.

To remove mineral deposits, use a 50/50 solution of white vinegar and water. Do not allow the solution to soak on the product.

Simichrome Polish® contains a protective film to enhance maintenance and is helpful in preventing water spot buildup. Follow instructions to ensure optimum results.

Never use an abrasive material such as a brush or scouring pad to clean the surface. The use of abrasive cleaners, cleansers or disinfectants will alter the surface finish and void the warranty.

Do not allow certain materials such as toothpaste, cologne, shaving cream, nail polish remover, vinegar, wine, drain and glass cleaners to remain on the surface. Prolonged contact will alter surface finishes and void the warranty.

**We DO NOT recommend using any household cleaners as many can cause damage to the finish.**

**Warranty** - This **Crosswater London** product is covered by a limited lifetime warranty. For full details, terms and conditions please visit our website.

For further information contact: **Crosswater London**, 393 Fortune Blvd., Milford, MA 01757

[www.crosswaterlondon.com](http://www.crosswaterlondon.com)

Toll free number: 844-XWATER-1 (844-992-8371) tel: 508-381-0433 fax: 508-381-6068

email: [technical@crosswaterlondon.com](mailto:technical@crosswaterlondon.com)

Issue date: 17082021