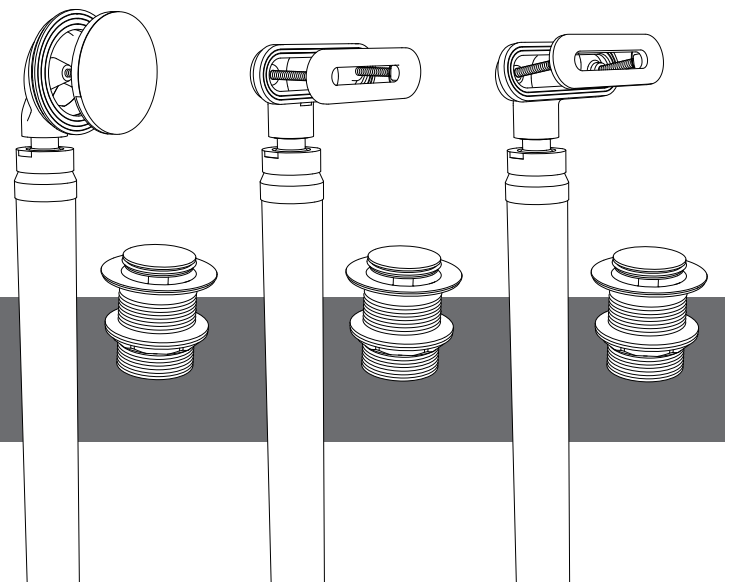


## Exposed Bath Waste and Overflow

US-CW11 / US-CW12 / US-CW14

# Installation Instructions



## Introduction

The bath waste and overflow has been fully inspected throughout the production process and only leaves our factory after a 15-step QC process.

Carefully remove the waste and overflow from the box and check that all parts have been supplied.

Before beginning installation please check for any damage that may have occurred during transport.

**Note: Damage claims cannot be made during or after installation.**

Improper installation shall result in loss of warranty in case of damage caused by impacts or rubbing against rough surfaces.

**IMPORTANT: Please read these instructions carefully before beginning and retain for future reference.**

**We do not accept responsibility for any problems that may occur through incorrect installation.**

## Cleaning Instructions

Rinse away any traces of soap and gently dry with a clean, soft cloth after each use. Rinse completely with water and dry any overspray. This will maintain the finish and avoid water spotting.

To remove mineral deposits, use a 50/50 solution of white vinegar and water. Do not allow the solution to soak on the product.

Simichrome Polish® contains a protective film to enhance maintenance and is helpful in preventing water spot buildup. Follow instructions to ensure optimum results.

Never use an abrasive material such as a brush or scouring pad to clean the surface. The use of abrasive cleaners, cleansers or disinfectants will alter the surface finish and void the warranty.

Do not allow certain materials such as toothpaste, cologne, shaving cream, nail polish remover, vinegar, wine, drain and glass cleaners to remain on the surface. Prolonged contact will alter surface finishes and void the warranty.

**We DO NOT recommend using any household cleaners as many can cause damage to the finish.**

Please see the website for care instructions for specific finishes.

## Installation notes

The installation must comply with all plumbing codes including local codes.

**IMPORTANT: All final connections are made below the finished floor. Accessibility below the finished floor is recommended.**

Island Tub Drain ITD5135 (sold separately) allows for a freestanding tub to be installed over a finished floor.

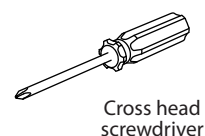
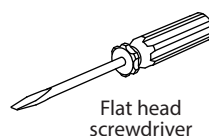
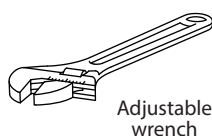
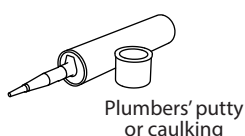
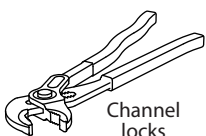
This item is highly recommended for ease of installation.

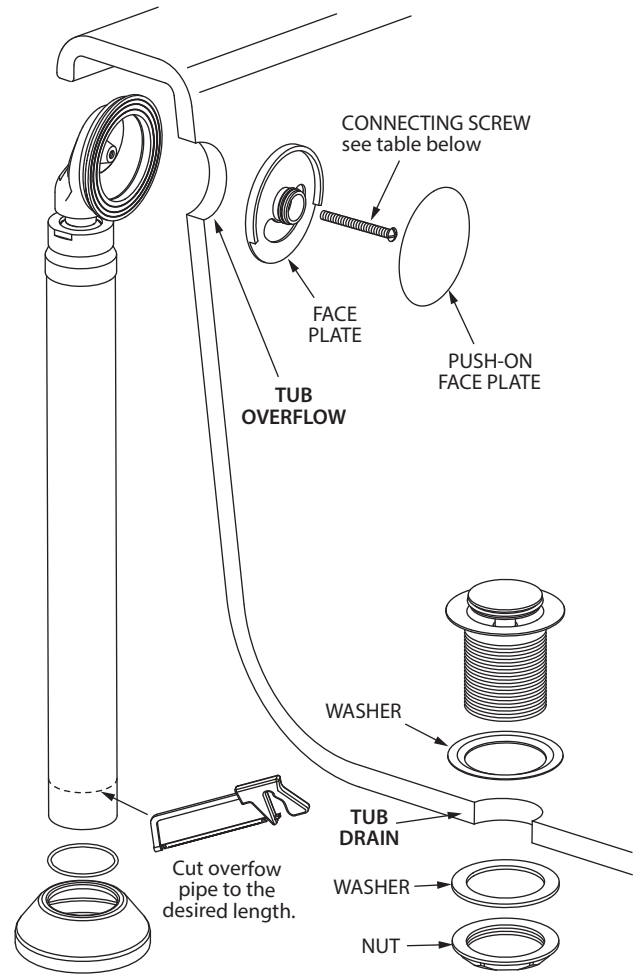
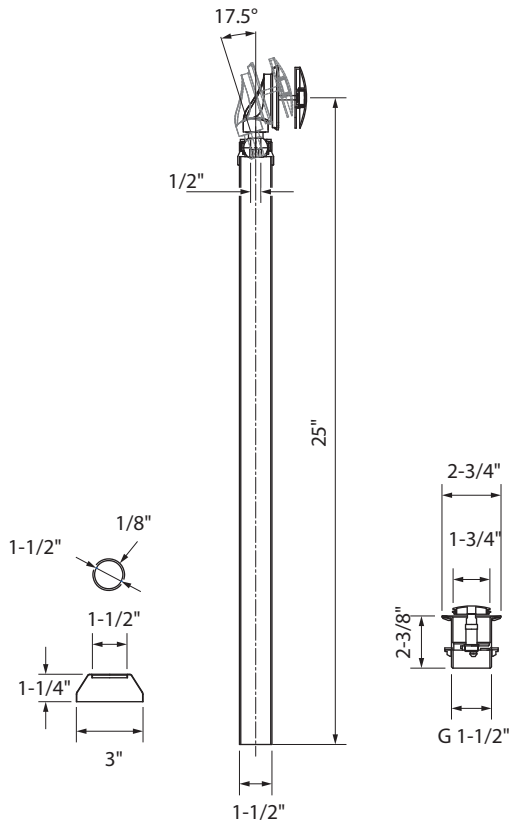
Take all necessary precautions to ensure the bath is protected during installation.

**IMPORTANT: Do not overtighten the waste as this may cause damage. Use a torque wrench set to a torque force of between 18.5 lbf.ft and 36.5 lbf.ft.**

**WARNING! Please check for any hidden pipes and cables, electric or otherwise, before drilling holes in a wall or floor.**

## Tools required



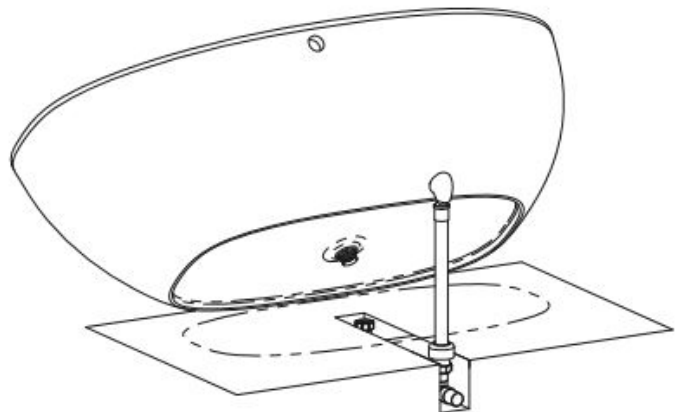
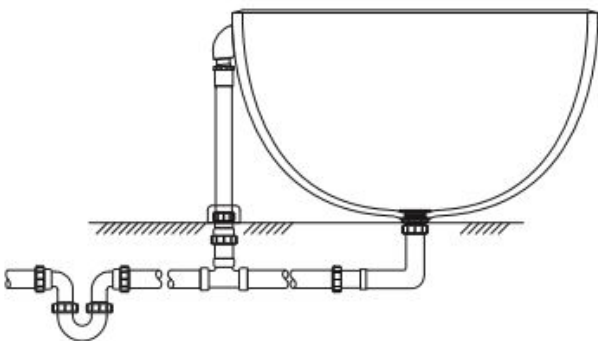


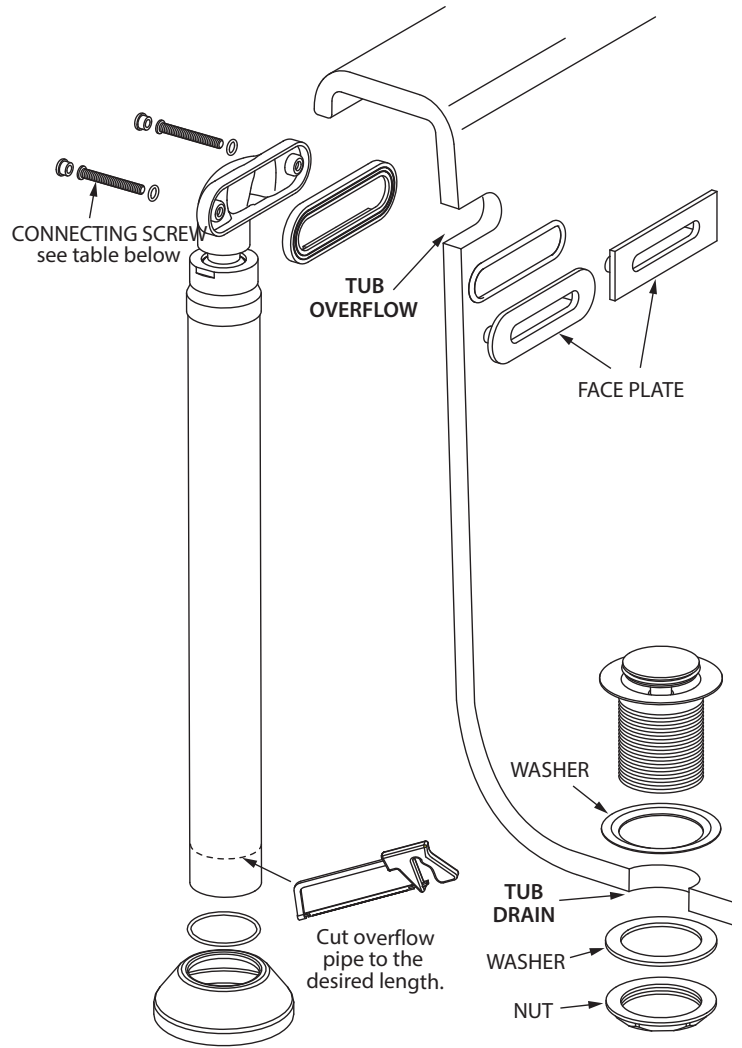
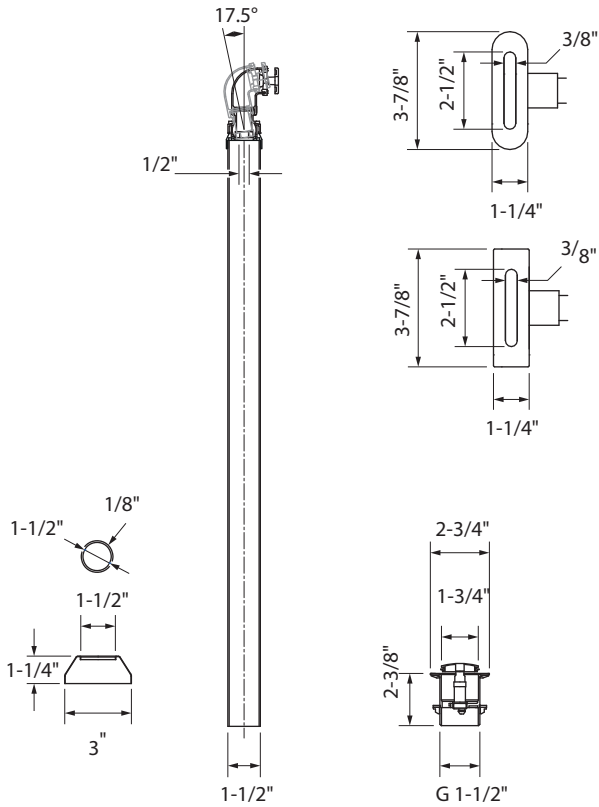
## Installation

- Drill the overflow by following the instructions shown on the template attached to the bath.
- Install overflow as shown in diagram above.
- Overflow connecting screw can be cut to fit the thickness of the the bath.
- Overflow pipe can be cut to desired length, if required.
- Install the waste onto the bath as shown in diagram above.
- Complete the installation as per diagrams below.
- Items below the floor are not supplied – suitable plumbing products to be sourced by the installer.

Tub thicknesses range from 9/16" to 3/4". Please check and use the appropriate connecting screw from the table below.

US-CW11 Screw	total length	thread length	min. bath thickness	max. bath thickness
Screw 1	1 <sup>9</sup> / <sub>16</sub> "	1 <sup>3</sup> / <sub>8</sub> "	1/2"	7/8"



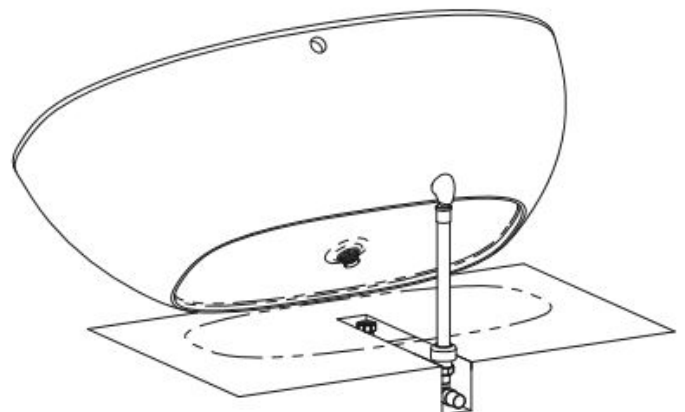
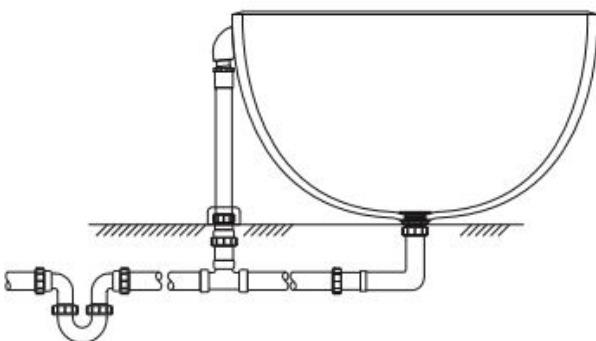


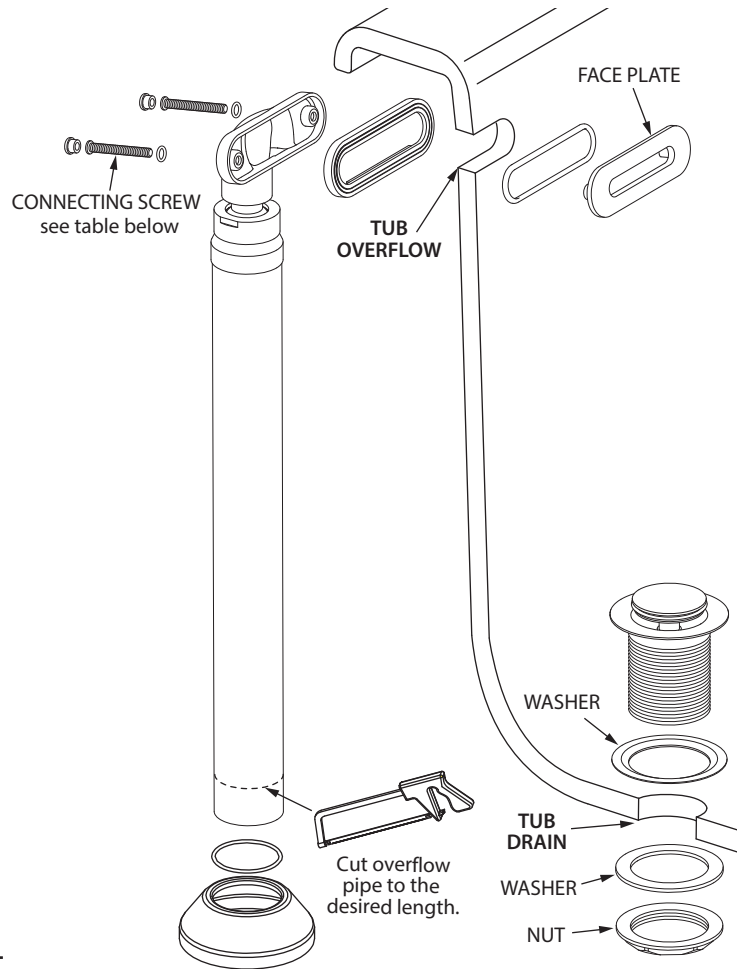
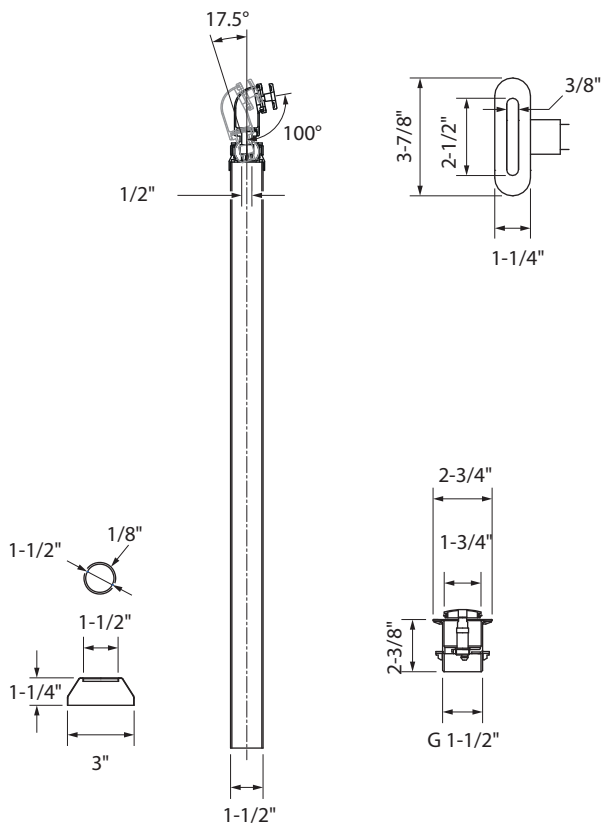
## Installation

- Drill the overflow by following the instructions shown on the template attached to the bath.
- Install overflow as shown in diagram above.
- Overflow connecting screw can be cut to fit the thickness of the the bath.
- Overflow pipe can be cut to desired length, if required.
- Install the waste onto the bath as shown in diagram above.
- Complete the installation as per diagrams below.
- Items below the floor are not supplied – suitable plumbing products to be sourced by the installer.

Tub thicknesses range from 9/16" to 3/4". Please check and use the appropriate connecting screw from the table below.

US-CW12 Screw	total length	thread length	min. bath thickness	max. bath thickness
Screw 1	1 1/16"	15/16"	5/8"	13/16"
Screw 2	15/16"	3/4"	7/16"	5/8"





## Installation

- Drill the overflow by following the instructions shown on the template attached to the bath.
- Install overflow as shown in diagram above.
- Overflow connecting screw can be cut to fit the thickness of the the bath.
- Overflow pipe can be cut to desired length, if required.
- Install the waste onto the bath as shown in diagram above.
- Complete the installation as per diagrams below.
- Items below the floor are not supplied – suitable plumbing products to be sourced by the installer.

Tub thicknesses range from 9/16" to 3/4". Please check and use the appropriate connecting screw from the table below.

US-CW14 Screw	total length	thread length	min. bath thickness	max. bath thickness
Screw 1	1 1/16"	15/16"	5/8"	13/16"
Screw 2	15/16"	3/4"	7/16"	5/8"

## Cleaning Instructions

Rinse away any traces of soap and gently dry with a clean, soft cloth after each use. Rinse completely with water and dry any overspray.

This will maintain the finish and avoid water spotting.

To remove mineral deposits, use a 50/50 solution of white vinegar and water. Do not allow the solution to soak on the product.

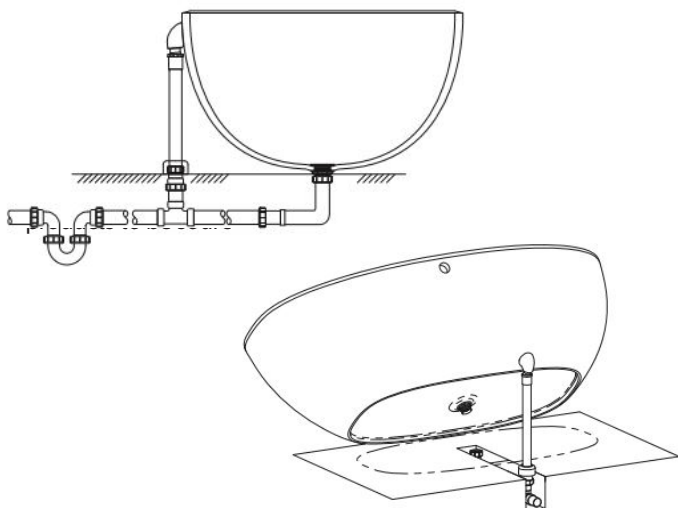
Simichrome® Polish contains a protective film to enhance maintenance and is helpful in preventing water spot buildup. Follow instructions to ensure optimum results.

Never use an abrasive material such as a brush or scouring pad to clean the surface. The use of abrasive cleaners, cleansers or disinfectants will alter the surface finish and void the warranty.

Do not allow certain materials such as toothpaste, cologne, shaving cream, nail polish remover, vinegar, wine, drain and glass cleaners to remain on the surface. Prolonged contact will alter surface finishes and void the warranty.

**We DO NOT recommend using any household cleaners as many can cause damage to the finish.**

Please see the website for care instructions for specific finishes.



**Warranty** - This **Crosswater London** product is covered by a limited lifetime mechanical warranty. For full details, terms and conditions please visit our website.

For further information contact: **Crosswater London**, 393 Fortune Blvd., Milford, MA 01757

[www.crosswaterlondon.com](http://www.crosswaterlondon.com)

Toll free number: 844-XWATER-1 (844-992-8371) tel: 508-381-0433 fax: 508-381-6068

email: [technical@crosswaterlondon.com](mailto:technical@crosswaterlondon.com)