

Arcade Wall-mount Shower Arm US-ARC064

Installation Instructions



General Information

Wall-mount shower arm with flange
G1/2" connection

Before beginning installation of the shower arm please check for any damage that may have occurred during transport.

Note: Damage claims cannot be made during or after installation. Improper installation shall result in loss of warranty in case of damage caused by impacts or rubbing against rough surfaces.

Notes

Turn off the main water supply before connecting to any existing pipework.

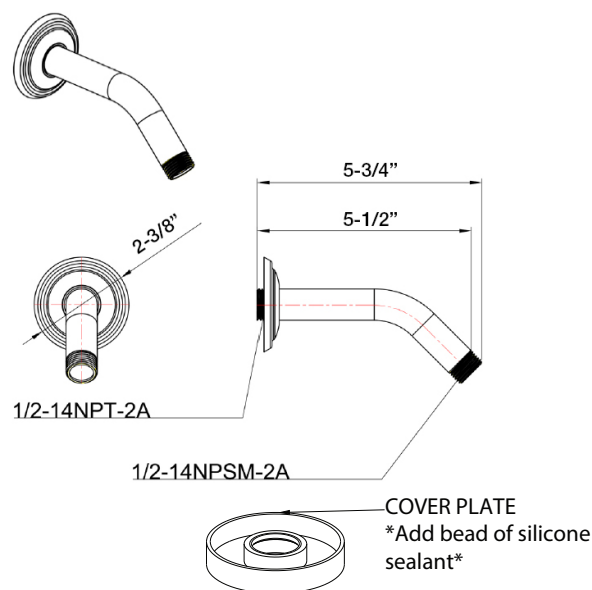
Warning! Check for any hidden pipes and cables before drilling holes in a wall.

Do not use tapered threaded adapters or excessive thickness of sealing tape as this may cause damage and result in a concealed leak within the wall cavity.

Installation

- Wrap threaded tape two or three times around the threads on both ends of the shower arm.
- Insert the long end of the shower arm onto the supply pipe in the wall and rotate the arm clockwise to engage the threads.
- Hand twist the arm until it becomes tight.
- Place a piece of thin rag or cloth around the arm (to protect it from scratches), grip it with an adjustable wrench, and turn the wrench clockwise to further tighten the connection. Do not overtighten the shower arm to avoid damaging the pipe.
- Slide the flange over the shower arm and screw the shower head onto the shower arm.
- NOTE - Add silicone sealant to cover plate.
- Turn on supplies and test all connections.

Dimensions



Cleaning Instructions

Rinse away any traces of soap and gently dry with a clean, soft cloth after each use. Rinse completely with water and dry any overspray. This will maintain the finish and avoid water spotting.

To remove mineral deposits, use a 50/50 solution of white vinegar and water. Do not allow the solution to soak on the product. Simichrome Polish® contains a protective film to enhance maintenance and is helpful in preventing water spot buildup. Follow instructions to ensure optimum results.

Never use an abrasive material such as a brush or scouring pad to clean the surface. The use of abrasive cleaners, cleansers or disinfectants will alter the surface finish and void the warranty.

Do not allow certain materials such as toothpaste, cologne, shaving cream, nail polish remover, vinegar, wine, drain and glass cleaners to remain on the surface. Prolonged contact will alter surface finishes and void the warranty.

We DO NOT recommend using any household cleaners as many can cause damage to the finish.

Please see the website for care instructions for specific finishes.

Warranty - This Crosswater London product is covered by a limited lifetime warranty. For full details, terms and conditions please visit our website.

For further information contact: **Crosswater London**, 393 Fortune Blvd., Milford, MA 01757

Toll free number: 844-XWATER-1 (844-992-8371) tel: 508-381-0433 fax: 508-381-6068

www.crosswaterlondon.com

email: technical@crosswaterlondon.com