

## MPRO Furniture Basins

US-PRO391 39" 1 TAP HOLE	US-PRO481 48" 1 TAP HOLE
US-PRO390 39" 0 TAP HOLE	US-PRO480 48" 0 TAP HOLE
US-PRO393 39" 3 TAP HOLE	US-PRO483 48" 3 TAP HOLE

# Installation Instructions



## Introduction

This product has been fully inspected throughout the production process and only leaves our factory after a 15-step QC process. Carefully remove the basin from the box and check that all parts have been supplied.

Before beginning installation of the basin please check for any damage that may have occurred during transport. **Note: Damage claims cannot be made during or after installation.**

Improper installation shall result in loss of warranty in case of damage caused by impacts or rubbing against rough surfaces.

Prior to installing the basin prepare a connection of water inlet/outlet. The customer may choose the type and location of the faucets, installation instructions should be supplied by the faucet manufacturer.

The installation procedure of the basin may differ from that described in the installation instructions, depending on the installation site.

**IMPORTANT: Please read these instructions carefully before beginning and retain for future reference.**

**We do not accept responsibility for any problems that may occur through incorrect installation.**

### RECOMMENDATIONS:

It is recommended to remove the protective packaging after installation of the basin.

## Installation notes

The installation must comply with all plumbing codes including local codes and be installed by a licensed plumbing contractor.

Store the basin in a safe place until installation begins to avoid any damage.

The new basin must be unpacked and inspected before removing the old fixture.

Assemble the basin on a mat to protect against damage to the basin surface.

Avoid getting cement, grit, sand or masonry products on to the surface.

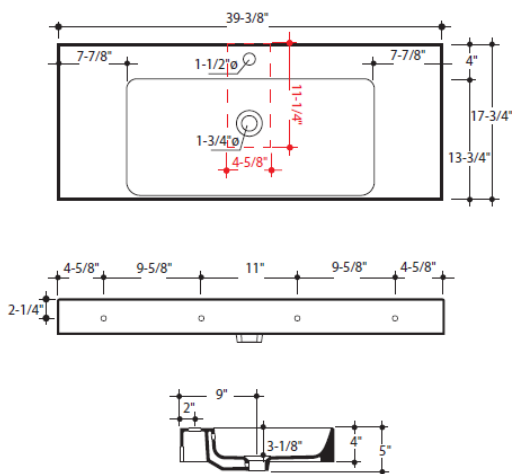
Protect and cover the products during the installation period to prevent damage from occurring.

**IMPORTANT: Turn off the main water supply before connecting to any existing pipe work or doing any maintenance.**

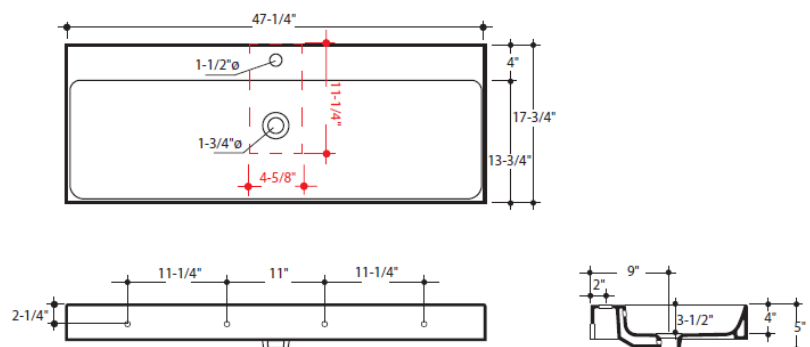
**WARNING! Please check for any hidden pipes and cables, electric or otherwise before drilling holes in a wall or floor.**

## Dimensions

US-PRO39



US-PRO48



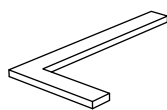
## Tools required



Tape measure



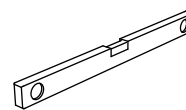
Safety glasses



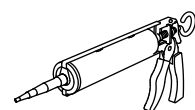
Set square



Pencil



Spirit level



Silicone sealant

# 1 Installation - carriage

## IMPORTANT:

**Crosswater London cannot accept responsibility for any injuries caused to those attempting to install this basin without adequate and appropriate tools or resources.**

- Remove the basin carefully from the packaging.
- **Do not** drag the basin over rough surfaces or sharp objects. Lift and place the basin into position.
- **Do not** drop the basin!

# 2 Installation

- This installation guide does not include details of waste connection. Final decision about installation of waste connection should be taken by a suitably qualified contractor.
- Install the waste according to the installation instructions supplied with the waste.
- Place the basin in desired position making sure waste hole is aligned.
- Apply sealant to the inside edge and place into position.

**WARNING: Do NOT overtighten the waste as this may cause long-term damage to the basin.**

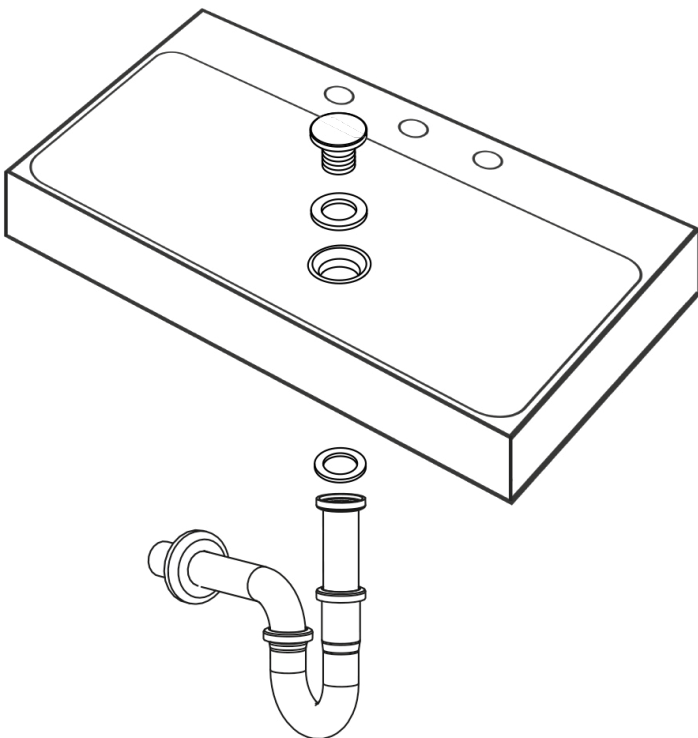
We recommend to use a torque wrench to tighten the waste by using a torque force between 25Nm or 18.5 ft/lb and 50Nm or 36.8 ft/lb.

**IMPORTANT: Basins are designed for installation with MPRO vanities.**

**Basins are not suitable for wall-hung installation without underside support. It is the responsibility of the installer to provide adequate support.**

**Crosswater London cannot be held responsible for inadequate wall-hung installation.**

**Mounting hardware for wall-hung installation not supplied.**



# 3 Maintenance

A simple routine of regular care will keep your vitreous china and fireclay products clean and fresh.

Rinse away any traces of soap and gently dry with a clean soft cloth after each use. A mild detergent, warm water and a soft cloth will remove normal dirt and soap accumulations from surfaces.

Soft abrasive cleaners may be used on vitreous china and fireclay. Never use abrasive cleaners without water. Do not use caustic cleaners or disinfectants as they can alter the surface finish and void the warranty.

Do not allow certain materials such as toothpaste, cologne, shaving cream, nail polish remover, vinegar, wine, drain and glass cleaners to remain on the surface. Prolonged contact can alter surface finishes and void the warranty.

**Warranty** - This **Crosswater London** product is covered by a limited lifetime warranty. For full details, terms and conditions please visit our website.

For further information contact: **Crosswater London**, 393 Fortune Blvd., Milford, MA 01757

[www.crosswaterlondon.com](http://www.crosswaterlondon.com)

Toll free number: 844-XWATER-1 (844-992-8371) tel: 508-381-0433 fax: 508-381-6068

email: [technical@crosswaterlondon.com](mailto:technical@crosswaterlondon.com)