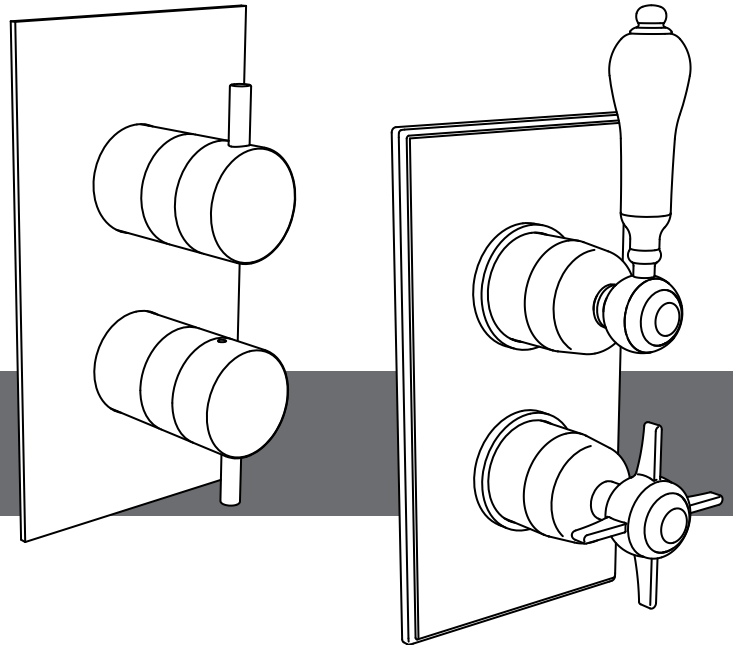


1000 and 1500 Trim

US-ARCV34, US-ARCV35
US-BL1000, US-BL1500
US-PRO1000, US-PRO1500
US-WF1000, US-WF1500
US-WP1000, US-WP1500

Installation Instructions



Introduction

The installation must comply with all plumbing codes including local codes. **NOTE:** Image shows single-outlet trim kit. Please follow the same steps if you have a multi-outlet valve.

NOTE: These instructions also apply to lever and cross handle versions. Please make sure you place in correct orientation if there are etchings on the front of the handle.

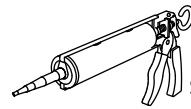
Fitting isolating valves to the inlet feeds is recommended for ease of maintenance.

INSTALLATION: Turn off the main water supply before connecting to any existing pipe work.

WARNING! Please check for any hidden pipes and cables, electric or otherwise before drilling holes in a wall.

Before beginning installation, check for any damage that may have occurred during transport. **Damage claims cannot be made during or after installation.**

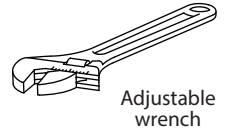
Tools required



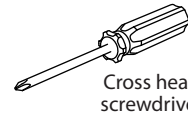
Silicone sealant



Plumbers' putty or caulking



Adjustable wrench



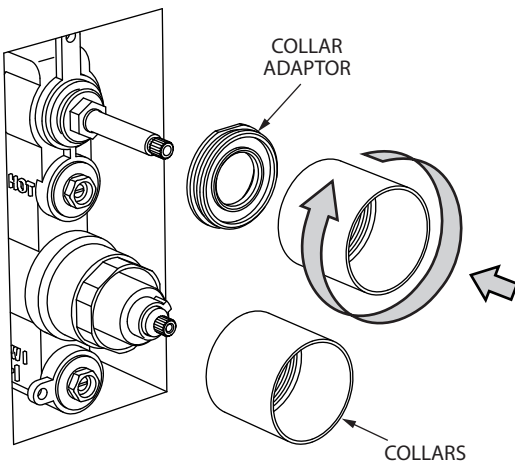
Cross head screwdriver



Hexagonal key

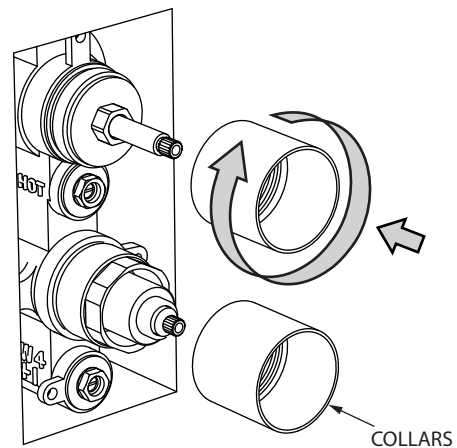
1 Installation 1000 rough

- Follow install guide for 1000 valve rough.
- Attach collars by turning these into the valve.



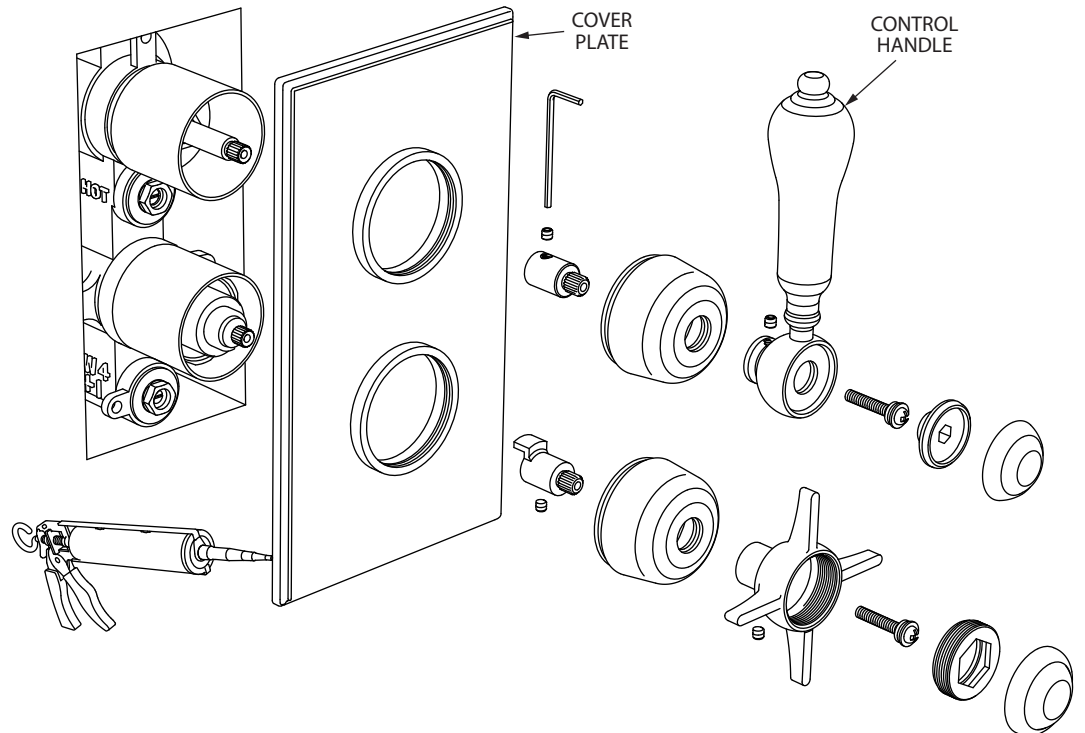
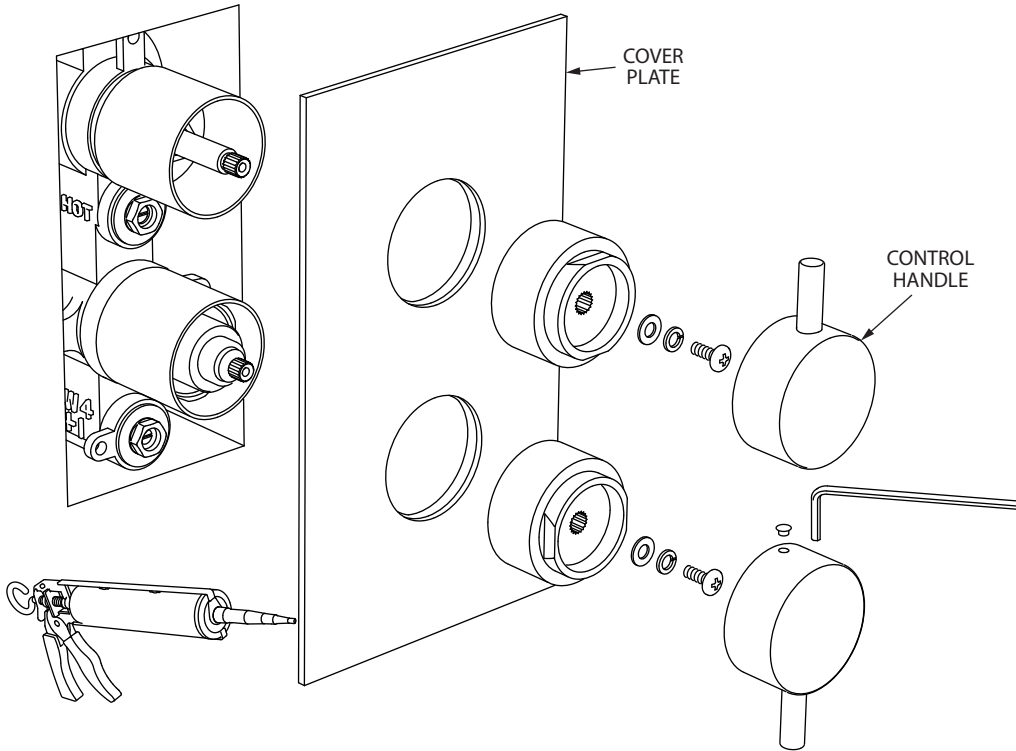
1 Installation 1500 rough

- Follow install guide for 1500 valve rough.
- Attach collars by turning these into the valve.



2 Installation

- Remove the adhesive tape film on the backside of the cover plate.
- Apply a narrow bead of clear silicone sealant around the back edge of the cover plate and carefully press into position. Please make sure you place in correct orientation if there are etchings on the front of the cover plate.
- Fit the control handles by lining up the flat surface of the valve cover with the grub screw on the handle and tighten the screw with an hexagonal key.



Warranty - All **Crosswater London** products come with a limited lifetime warranty. For full details, terms and conditions visit our website.

For further information contact: **Crosswater London**, 393 Fortune Blvd., Milford, MA 01757

Toll free number: 844-XWATER-1 (844-992-8371) tel: 508-381-6062 fax: 508-381-6068

www.crosswaterlondon.com

email: technical@crosswaterlondon.com

Issue date: 030816