

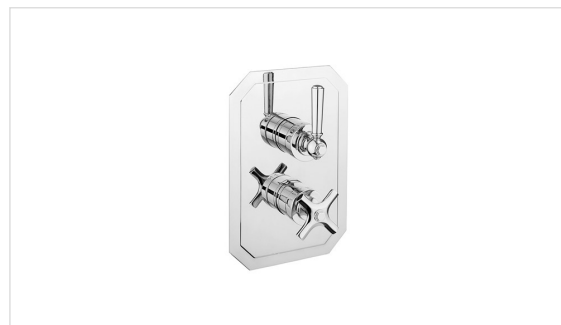
WALDORF 1000 THERMOSTATIC VALVE TRIM WITH SINGLE INTEGRATED VOLUME CONTROL AND METAL LEVER/CROSS HANDLES

Polished Chrome

US-WF1000RC_LS

FEATURES

- A modern interpretation of Art Deco excellence, Waldorf blends geometric intricacy with softened lines for a striking profile
- Single integrated volume control for 1 water outlet
- Required rough features Vernet thermostatic cartridge
- The thermostatic valve senses and controls the actual water temperature and blends hot water with cold water to ensure constant, safe temperatures, preventing scalding.
- Required rough (sold separately): US-WLBP1000R



SPECIFICATIONS

Finish	Polished Chrome
Extension kit	US-EK101525C
Number of water outlets	1
Handle style	Cross and lever
Flow rate	12 GPM
Inlet connection size	3/4" NPT
Outlet connection size	3/4" NPT
Water pressure minimum	20 PSI
Water pressure maximum	Operating pressure of 60 PSI and static pressure of 144 PSI
Installation type	Concealed
IAPMO	Yes
State of MA	Yes
Extension kit	EK101525

✓ Limited lifetime. Commercial



AVAILABLE COLOR/FINISHES

Color	SKU	Description
	US-WF1000RC_LS	Polished Chrome
	US-WF1000RN_LS	Polished Nickel

Waldorf 1000/1500 Thermostatic Valve Trim

US-WF1000_LV

US-WF1500_LV

